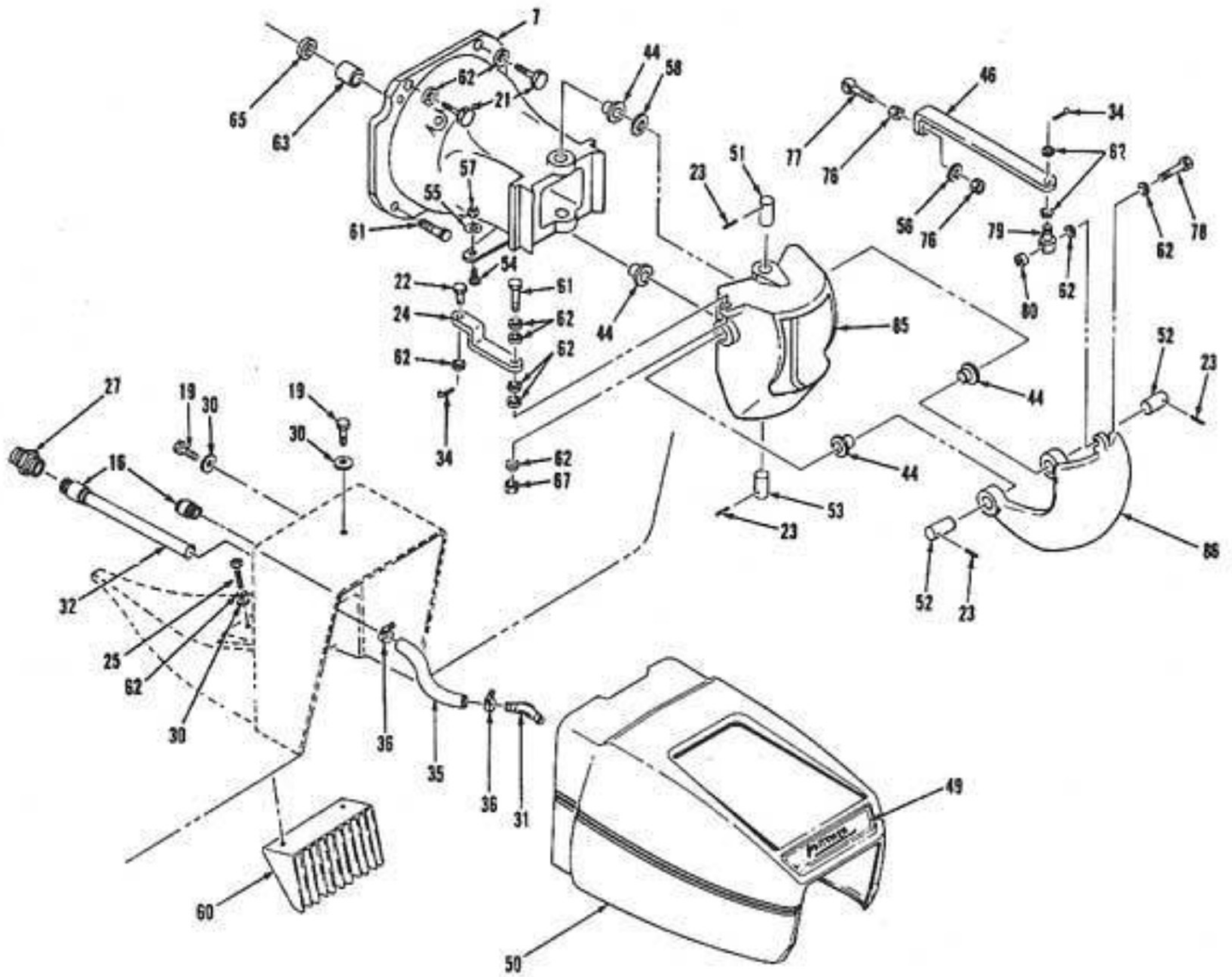


Drive Housing Components



Exit Section Components

<u>INDEX #</u>	<u>PART #</u>	<u>DESCRIPTION</u>	<u>STOCK STATUS--IN STOCK UNLESS NOTED</u>
1	8278	HOUSING , DRIVE	
2	8002	SPACER ,THRUST BEARING	SOLD ONLY IN AN ASSY. PART #8803
3	8256.1/8256	MAIN SHAFT G/H450	
4	8275/8264	BEARING CAP 3/4 POINT	
5	8265	IMPELLER H450	
7	8208	STATOR HOUSING	
8	8010	NUT , LOCK IMPELLER	
10	8012/8314	IMPELLER KEY,MOON/STRAIGHT	
11	8013	WATER SEAL	
12	8014	OIL SEAL ,REAR	
13	8015	NUT ,BEARING	
14	8016	OIL SEAL ,FRONT	
15	8284	LOCK WASHER	
16A	8020	PIPE NIPPLE, WATER HOSE	
16B	8350	PIPE NIPPLE , STEERING	
17	8021	O-RING ,BEARING CAP	
18	8022	SEAL STRIP, DRIVE HOUSING	
19	8024	BOLT, HEX HEAD MOUNT	
20	8035	BOLT, BEARING CAP HEX HEAD	
21	8036	BOLT ,HEX HEAD	
22	8038	CLEVIS PIN 3/8 x 7/8	
23	8042	SPIRAL PIN	
24	8271	LINK , STEERING	
25	8285	BOLT , INTAKE GRATE	
26	8266	<u>RUDDERS (OPTIONAL)</u>	
27	8291	HOSE FITTING	
28	8060	TABLOCK ,LOCK WASHER	
29	8064	WASHER,IMPELLER , SHIFT ARM	
30	8069	WASHER, FLAT	
31	8073	ELBOW FITTING, WATER HOSE	
32	8074	WATER TUBE	
34	8085	COTTER PIN SS	
35	8088	HOSE, WATER	
36	8092	SS CLAMP , HOSE	
37	8095	CONE ,THRUST BEARING (SET)	
38	8096	CUP , THRUST BEARING (SET)	
39	8107	SHIM ,IMPELLER-G450	
40	8112	TRIM PLATE ,SHORT FIN	
41	8113	LINKS, TRIM PLATE	
43	8117	WASHER , SPACER	
44	8223	<u>NYLINER BUSHING</u>	

45	8224	GREASE FITTING	
46	8221	SHIFT LINK	
49	8033	EMBLEM ,COVER	
50	8226	COVER , DRIVE	
51	8227	PIN , TOP NOZZLE	
52	8228	PIN , REVERSE GATE	
53	8229	PIN , BOTTOM NOZZLE	
54	8046	BOLT , HEX HEAD	
55	8225	WASHER ,FLAT	
56	8067	WASHER , LOCK	
57	8231	NUT , ELASTIC STOP	
58	8230	WASHER SPACER	
60	8283	GRILL , ROCK (INTAKE)	
61	8120	BOLT , HEX HEAD	
62	8068	WASHER ,FLAT	
63	8234	BUSHING ,DU	
65	8236	SEAL ,DU BUSHING	
66	8237	SPACER, BEARING	SOLD ONLY IN BEARING ASSY. PART #8803
67	8116	NUT ,LOCK	
68	8273	DIPSTICK	
69	8279	SHIFT ARM	
70	8286	NYLINER BUSHING ,SHIFT ARM	
71	8287	WASHER	
72	8288	COTTER PIN	
75	8114	BOLT ,FLAT HEAD SOCKET	
76	8245	NUT	
77	8246	ROD END	
78	8247	BOLT , HEX HEAD	
79	8248	SWIVEL , REVERSE GATE	
80	8065	NUT, LOCK	
82	8250	PIN ,CLEVIS	
83	8251	EXTENSION , SHIFT CABLE	
84	8252	WASHER ,FLAT	
85	8253	NOZZLE , SWIVEL	
86	8254	GATE , REVERSE	
87	8255	BOLT , SOCKET HEAD	

<u>PART#</u>	<u>DESCRIPTION</u>	<u>QTY</u>	<u>Price</u>
8000	JET DRIVE COMPLETE	EA	\$4,000.00
8002	BEARING, OUTER THRUST	EA	\$25.00
8010	IMPELLER LOCK NUT	EA	\$10.00
8011	SPACER TUBE E MODEL	EA	\$22.00
8012	IMPELLER KEY HALF MOON	EA	\$11.00
8013	SEAL, WATER	EA	\$72.00
8013.1	SEAL, WATER HALF MOON KEY	EA	\$77.00
8014	SEAL, REAR OIL	EA	\$14.00
8015	NUT, BEARING SPANNER	EA	\$14.00
8016	SEAL, FRONT OIL	EA	\$10.00
8019	OIL VENT CUP-E MODEL	EA	\$31.00
8020	PIPE NIPPLE 1/2 X 2	EA	\$10.00
8021	BEARING CAP, O-RING	EA	\$5.00
8022	DRIVE HOUSING SEAL STRIP	EA	\$7.00
8024	BOLT, HX HD 1/2 13 X 1 1/4	EA	\$3.00
8033	COVER EMBLEM	EA	\$15.00
8035	BOLT HX HD 3/8 X 16 X 1 3/4	EA	\$2.00
8036	BOLT, HEX HEAD	EA	\$3.00
8038	PIN, CLEVIS 3/8 X 7/8	EA	\$11.00
8042	PIN, SPIRAL	EA	\$3.00
8046	BOLT, 1/4 X 20 1 1/2	EA	\$3.00
8049	SHAFT FARING SCREW E-MODEL	EA	\$4.00
8055	SHAFT FARING SPACER E-MODEL	EA	\$33.00
8060	TAB LOCK BEARING ASSY	EA	\$9.00
8064	WASHER, IMPELLER	EA	\$5.00
8065	NUT, LOCK 5/16 X 18	EA	\$3.00
8066	WASHER, SHIFT LINK 5/16	EA	\$0.00
8067	WASHER, SPRING LOCK	EA	\$0.00
8068	WASHER, FLAT 3/8	EA	\$0.00
8069	WASHER, FLAT	EA	\$1.00
8070	WASHER, 3/8	EA	\$1.00
8073	FITTING, BRASS 3/8 ELBOW	EA	\$10.00
8074	WATER TUBE	EA	\$11.00
8075	WATER TUBE W/FITTING	EA	\$27.00
8083	SHAFT FARING	EA	\$196.00
8085	COTTER PIN, 5/64 X 3/4 SS	EA	\$0.00
8088	WATER HOSE	EA	\$4.00
8092	HOSE CLAMP	EA	\$2.00
8095	BEARING CONES	SET	\$100.00
8096	BEARING CUPS	SET	\$75.00
8107	IMPELLER SHIM-1ST DESIGN	EA	\$3.00
8112	CAVITATION PLATE, SHORT FIN	EA	\$153.00
8112.4	CAVITATION PLATE, LONG FIN	EA	\$180.00
8113	LINK, CAVITATION PLATE	EA	\$29.00

<u>PART#</u>	<u>DESCRIPTION</u>	<u>QTY</u>	<u>Price</u>
8114	BOLT, FLT SOCKET HD	EA	\$4.00
8116	NUT, LOCK 3/8	EA	\$3.00
8117	WASHER, BEARING SPACER	EA	\$6.00
8120	BOLT, HEX HD 3/8	EA	\$3.00
8120.1	BOLT, SHAFT FARING E-MODEL	EA	\$3.00
8122	GASKET, STATOR HSG. E-MODEL	EA	\$4.00
8208	STATOR HOUSING	EA	\$900.00
8221	SHIFT LINK	EA	\$29.00
8222	BOLT, HEX HD. 3/8	EA	\$3.00
8223	NYLINER BUSHING	EA	\$2.00
8224	GREASE FITTING	EA	\$7.00
8225	WASHER, FLAT	EA	\$1.00
8226	DRIVE COVER	EA	\$180.00
8226.2	COVER HARDWARE KIT	SET	\$9.00
8226.6	COVER MOUNT BRACE	EA	\$7.00
8227	NOZZLE PIN, TOP	EA	\$14.00
8228	NOZZLE PIN, REVERSE GATE	EA	\$13.00
8229	NOZZLE PIN, BOTTOM	EA	\$20.00
8230	NOZZLE PIN SHIM	EA	\$1.00
8231	NUT, LOCK 1/4-20 NYLOCK	EA	\$2.00
8234	BUSHING, SHAFT REAR	EA	\$15.00
8235	SLEEVE, DU	EA	\$18.00
8236	SEAL, REAR SHAFT	EA	\$9.00
8237	BEARING SPACER, INNER	EA	\$15.00
8244	NUT, ELASTIC STOP	EA	\$1.00
8245	NUT, ROD END HEX HEAD	EA	\$2.00
8246	ROD END MALE	EA	\$38.00
8247	BOLT, HEX HEAD 5/16	EA	\$3.00
8248	REVERSE GATE SWIVEL	EA	\$25.00
8250	PIN, CLEVIS	EA	\$10.00
8251	SHIFT CABLE EXTENSION	EA	\$15.00
8252	WASHER, FLAT THIN	EA	\$2.00
8253	SWIVEL NOZZLE	EA	\$196.00
8254	REVERSE GATE	EA	\$108.00
8255	SCREW, SOCKET HEAD	EA	\$2.00
8256	DRIVE SHAFT STRAIGHT KEY	EA	\$540.00
8256.1	DRIVE SHAFT HALF MOON KEY	EA	\$540.00
8257	OWNER'S MANUAL	EA	\$14.00
8258	INSTALLATION INSTRUCTIONS	EA	\$9.00
8264	BEARING CAP, 3 POINT	EA	\$153.00
8265	IMPELLER	EA	\$1,440.00
8266	RUDDERS	SET	\$90.00
8271	STEERING LINK	EA	\$40.00
8272	BOLT, STEERING LINK	EA	\$3.00
8273	DIP STICK	EA	\$25.00

<u>PART#</u>	<u>DESCRIPTION</u>	<u>QTY</u>	<u>Price</u>
8275	BEARING CAP 4 POINT	EA	\$117.00
8278	DRIVE HOUSING	EA	\$1,250.00
8279	SHIFT ARM	EA	\$90.00
8279.4	SHIFT ARM E-MODEL	EA	\$65.00
8280	3 POINT RUBBER RING	EA	\$11.00
8283	ROCK GRILL	EA	\$171.00
8284	WASHER, 3/8	EA	\$2.00
8285	BOLT, 3/8	EA	\$2.00
8286	NYLINER BUSHING SHIFT ARM	EA	\$3.00
8287	SHIM, SHIFT ARM	EA	\$2.00
8288	COTTER PIN	EA	\$2.00
8291	HOSE FITTING, WATER TUBE	EA	\$9.00
8314	IMPELLER KEY 2ND DESIGN	EA	\$10.00
8315	NOZZLE BLOCKS	SET	\$54.00
8350	STEERING NIPPLE	EA	\$13.00
8800	SERVICE MANUAL	EA	\$35.00
8801	SEAL KIT	KIT	\$150.00
8802	SHAFT & BRG. ASSY. STRAIGHT	EA	\$775.00
8802.1	SHAFT & BRG. ASSY HALF MOON	EA	\$775.00
8803	BEARING ASSEMBLY	EA	\$200.00
8805	ALUMINUM EPOXY PUTTY	EA	\$72.00
8806	NYLINER KIT	SET	\$25.00
8807	BASIC REBUILD KIT	SET	\$225.00
8808	DELUXE REBUILD KIT	SET	\$400.00
8809	ZINC PROTECTIVE SPRAY	EA	\$20.00
8810	PANTHER BOAT POSTER COLOR	EA	\$18.00
8811	PARTS POSTER EXPODED	EA	\$13.00
8812	DU BUSHING SLEEVED	EA	\$162.00
8813	SWIVEL NOZZLE PIN BUSHINGS	SET	\$261.00
8814	STATOR RINGS	EA	\$269.00
8815	PERFORMANCE HSG. SLEEVED	EA	\$2,250.00
8816	JET 'O' VATOR	EA	\$1,431.00
8901	T-BAR	EA	\$270.00

KIT PRICES

QTY

8801---SEAL KIT

8013	WATER SEAL	1
8014	REAR OIL SEAL	1
8016	FRONT OIL SEAL	1
8021	O'RING BEARING CAP	1
8022	SEAL STRIP DRIVE HOUSING	1
8234	DU BUSHING	1
8236	DU SEAL	1
8280	THREE POINT RUBBER RING	1

8802/**8802.1-SHAFT & BEARING ASSEMBLY**

8256/		
8256.1	DRIVE SHAFT (SPECIFY MODEL)	1
8803	BEARING ASSEMBLY	1
8015	BEARING LOCK NUT	1
8060	BEARING TAB LOCK	1
8117	BEARING SPACER WASHER	1

8803---BEARING ASSEMBLY

8095	BEARING, CONE THRUST (SET)	1
8096	BEARING , CUP THRUST (SET)	1
8002	BEARING THRUST SPACER	1
8237	BEARING INNER SPACER	1

8806--NYLINER KIT

8223	NYLINER BUSHINGS (4)	4
8286	NYLINER BUSHING SHIFT ARM	1
8042	SPIRAL PINS (4)	4
8288	COTTER PIN, SHIFT ARM	1
8287	SHIM, SHIFT ARM	1
8230	SHIMS, SWIVEL NOZZLE (2)	2
8085	COTTER KEYS (2)	2

8807/**8807.1--REBUILD KIT**

8012/		
8314	IMPELLER KEY (SPECIFY MODEL)	1
8801	SEAL KIT	1
8806	NYLINER KIT	1
8060	TABLOCK BEARING ASSEMBLY	1
8088	WATER HOSE	1
8224	GREASE FITTING	1
8092	HOSE CLAMPS (2)	2

8808/

8808.1-- DELUXE REBUILD KIT

8223 NYLINER BUSHINGS (4)	4
8286 NYLINER BUSHING SHIFT ARM	1
8042 SPIRAL PINS (4)	4
8288 COTTER PIN, SHIFT ARM	1
8287 SHIM, SHIFT ARM	1
8230 SHIMS, SWIVEL NOZZLE (2)	2
8085 COTTER KEYS (2)	2
8013 WATER SEAL	1
8014 REAR OIL SEAL	1
8016 FRONT OIL SEAL	1
8021 O'RING BEARING CAP	1
8022 SEAL STRIP DRIVE HOUSING	1
8234 DU BUSHING	1
8236 DU SEAL	1
8280 THREE POINT RUBBER RING	1
8314 IMPELLER KEY (SPECIFY MODEL)	1
8060 TABLOCK BEARING ASSEMBLY	1
8088 WATER HOSE	1
8224 GREASE FITTING	1
8092 HOSE CLAMPS (2)	2
8803 BEARING ASSEMBLY	1